

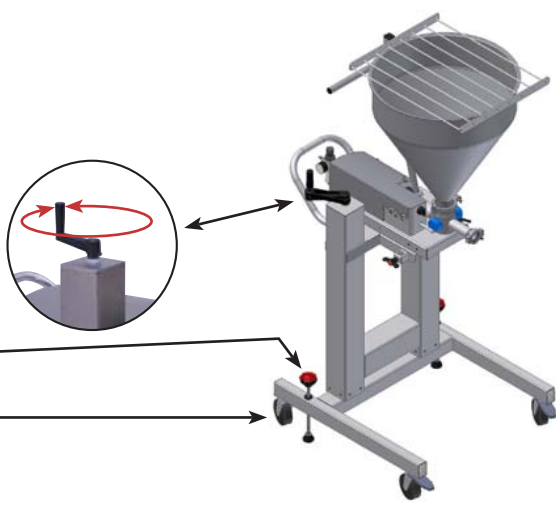
# Belcon ® patented depositors series 275 - 670 - 1340 general information.

## ► DESCRIPTION

Volumetric stainless steel piston depositor, operated by compressed air. Specially designed to work on production lines and conveyor belts, the machine is mounted on a mobile frame, manually adjustable in height. Can be equipped with our unique assortment of stainless steel nozzles, view page 25

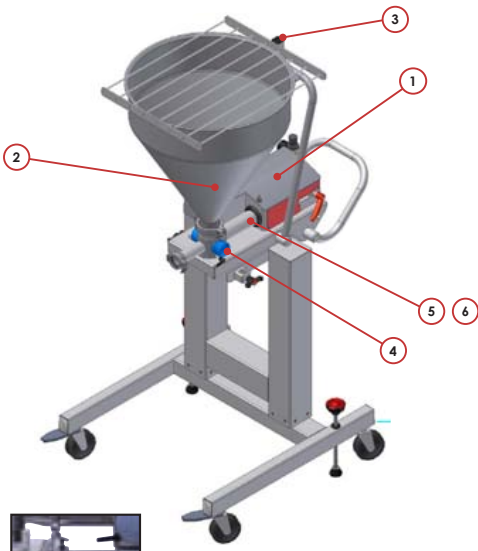
## ► ADVANTAGES

- \* multifunctional with different nozzles/spouts
- \* safety grill for protection of hands
- \* by means of a turning lever, the height of the depositor can be adjusted for higher or lower production lines or conveyor belts.
- \* adjustment to put the frame on the correct horizontal level
- \* turning wheels 2 with and 2 without brakes



## ► COMPOSITION STANDARD DEPOSITOR

- 1 Base machine
- 2 Hopper conical
- 3 Safety grill (multifunctional for all hoppers)
- 4 Patented rotation cylinder
- 5 Product cylinder
- 6 Piston

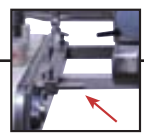


### Always free included:

- Box with spare seals, seals spoon, cleaning brushes and grease.
- Manual

### Locking system (to order separately)

Locking system ensures the exact position above the conveyor belt for precise deposits.



series 275 ►	002 024 001	€ 630,00
series 670/1340 ►	002 024 002	€ 683,00

## ► TECHNICAL DATA

- Dosing volume of :**
- series 275 'Small' → from 5 to 275 cm<sup>3</sup>
  - series 670 'Medium' → from 5 to 670 cm<sup>3</sup>
  - series 1340 'Large' → from 5 to 1340 cm<sup>3</sup>
- Weight :**
- series 275 'Small' → 40,5 Kg (89.28 LB)
  - series 670 'Medium' → 63,5 Kg (139.99 LB)
  - series 1340 'Large' → 65,6 Kg (144.62 LB)
- Air consumption :**
- series 275 'Small' → 29 L/min. at 30 deposits/min.
  - series 670 'Medium' → 121 L/min. at 30 deposits/min.
  - series 1340 'Large' → 219 L/min. at 30 deposits/min.
- Energy :**
- series 275 'Small' → } air pression 7 Bar / 101.5264 PSI
  - series 670 'Medium' → }
  - series 1340 'Large' → }
- Packing details in mm :**
- series 275 'Small' → height 700, length 560, width 530
  - series 670 'Medium' → height 1200, length 1000, width 1200
  - series 1340 'Large' → height 1200, length 1000, width 1200

### Dimensions :

- series 275 'Small'**
- height - A. 2003 mm (hopper)
  - B. 1553 mm
  - C. 1363 mm (outlet)
  - D. 913 mm
  - length 970 mm
  - width 660 mm
- series 670 'Medium'**
- height - A. 2003 mm (hopper)
  - B. 1553 mm
  - C. 1363 mm (outlet)
  - D. 913 mm
  - length 1000 mm
  - width 720 mm
- series 1340 'Large'**
- height - A. 2003 mm (hopper)
  - B. 1553 mm
  - C. 1363 mm (outlet)
  - D. 913 mm
  - length 1370 mm
  - width 720 mm

